

Tiltable Aluminum Meteorological Mast (10 metres)

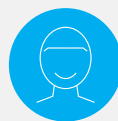
The MM10 meteorological mast is ideal for meteorological systems. It is easy to install and maintain. Once assembled, the entire mast can be easily installed by four people (concrete foundation required). Sensor servicing requires only one person for all necessary manipulations.



Usable in winds up to 80 m/s



Made of aluminium alloy



Easy maintenance



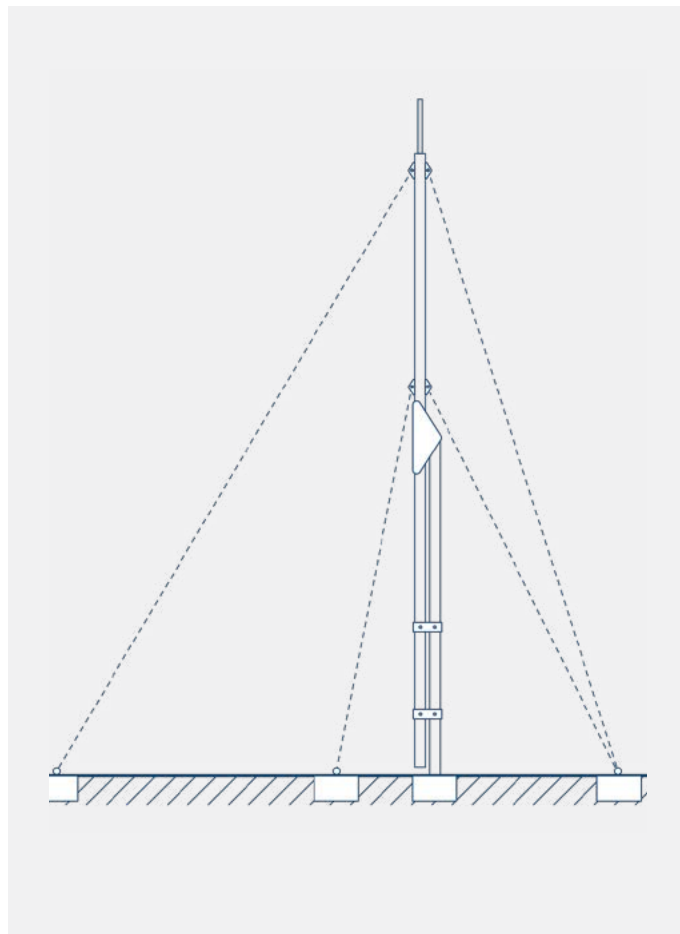
Innovative design

Models

- MM10met - Meteorological Mast 10 m (white)
- MM10avi - Meteorological Mast for airports 10 m (red RAL3000 / white RAL9016)

Accessories

- Lightning conductor
- Optional recommended accessories
- Cross arm for wind sensors
- Cross arm for meteorological sensors
- Obstacle light



Technical specifications

Mechanical

Length	10 m
Decomposed staff	0.5 x 0.5 x 3 m
Weight	110 kg
Installation area diameter	12.7 m
Material	aluminum alloy
Color	white, red / white red RAL3000 / white RAL9016
Fixation	6 stainless steel guy ropes in the height 5 m
Load	60 m/s
Paint color category	super durable polyester powder coating (for exteriors)

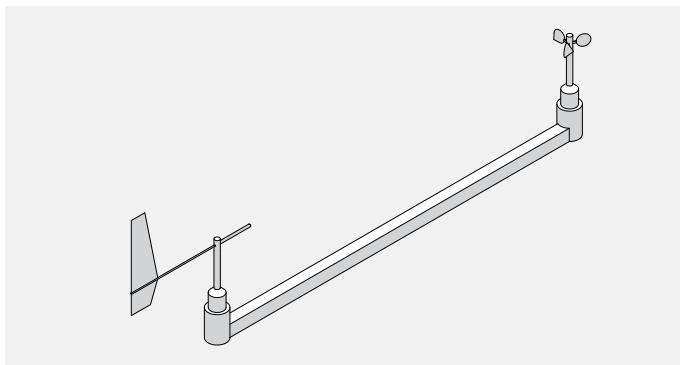
Obstruction lights [optional]

Type	LI-10-230-F
Certification	ICAO Type a Low Intensity Fixed Obstacle Light (Annex 14 Vol.1, Fourth edition - July 2004, Chapter 6)

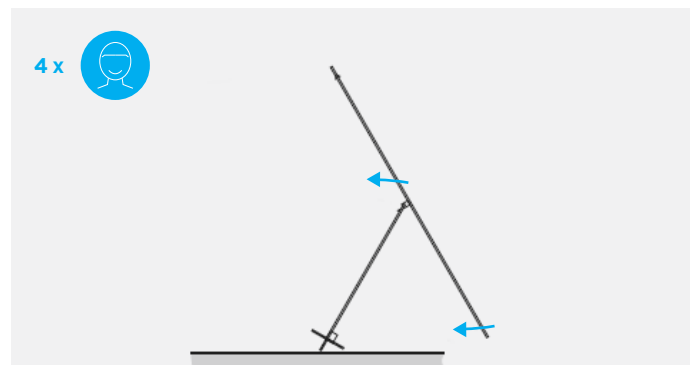
Different types of obstruction lights can be mounted upon request

Frangibility

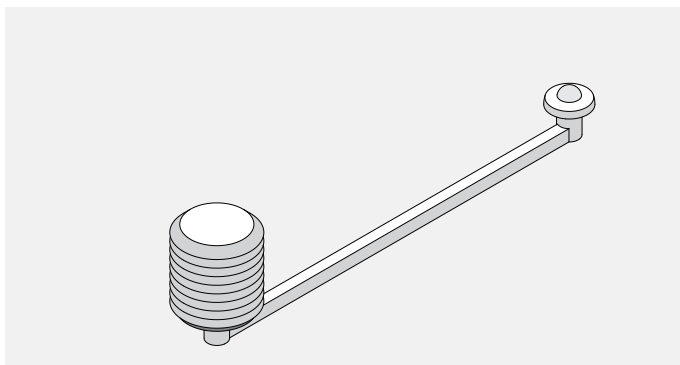
Breakable coupling (optional)	BrCo20kN
Certification	Civil Aviation Authority, Slovak Republic (Type Approval No. LPZ-S-021/2012)
Certification basis	ICAO ANNEX 14 - Volume I, 3rd Edition 1999 FAAAC No.: 150/5345-46A



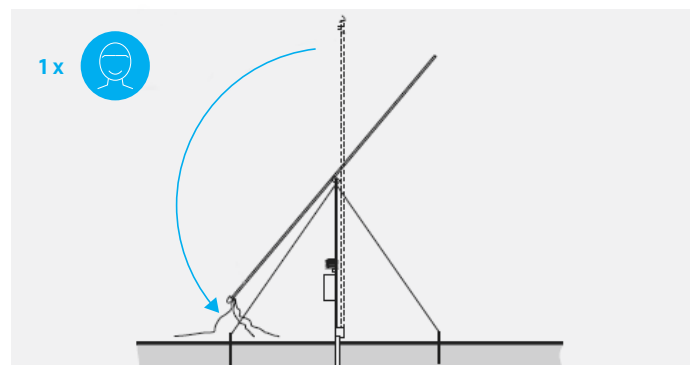
Cross arm for wind sensors



Installation



Cross arm for meteorological sensors



Maintenance