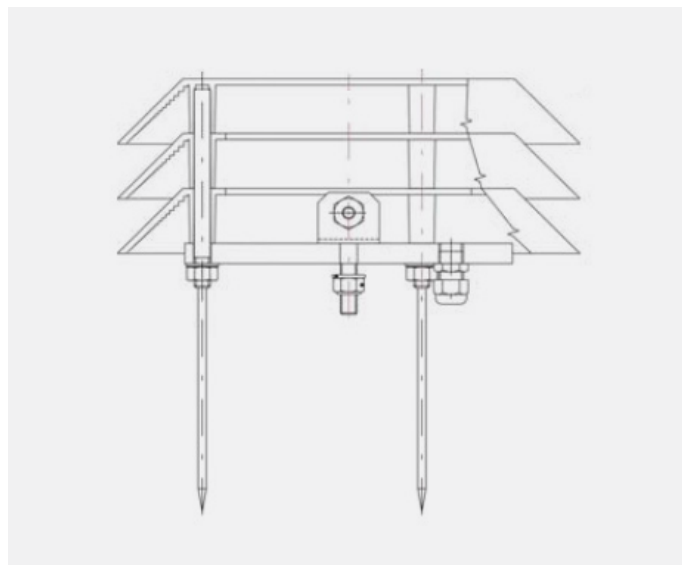


# MetCover 3 Ground Shield

MetCover 3 Ground Shield is a smaller version of the MetCover 3 Radiation Shield designed for shielding ground temperature sensor.



*Needles in bottom part serve for fixation of shield in terrain*

The shield is composed of three gradually overlapping circular diaphragms, which create louvers for the sensing unit. This enables free flow of air and other disturbing elements between the diaphragms.

The body of diaphragms and the base is made from plastic, connecting material is made from stainless material or aluminium alloys.