

MFS12

Field Standard

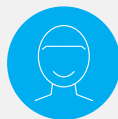
MFS12 is a portable, battery operated field standard with AMS 111 IV Data Logger and touchscreen display.



Accurate measurement



Weatherproof transport case



Easy manipulation



Selectable display units



Optional standard

The MicroStep-MIS AMS 111 IV system is designed for standard, temporary or mobile meteorological stations, as well as for their field control and the applications in areas where the commercial power or communication networks are limited or non-exist.

Touchscreen display

Monochrome graphics display (128 x 64 pixels) – with 32-button touchscreen matrix - optional user interface for previewing of measured values, adjusting system time, setting system variables and more – directly on the logger. Is a user-friendly for demanding spot-checking measurements and ideal for field control.

Optional

Dependent on the requirements, there are available two versions of MicroStep-MIS Field Standard:

Option I

- temperature probe PT100
- humidity probe humidity probe
- wind speed
- wind direction

Option II

- control device for tipping bucket rain gauge

General

Protection	IP 65
Operating temperature	-40 °C to + 60 °C
Operating humidity range	non-condensing
Output	1, 2 or 4 outputs per second

Barometric pressure

Barometric pressure transducer designed for use in environmental applications that require excellent accuracy, fast dynamic response, and long-term stability and reliability.

Pressure range	600 to 1100 hPa
Resolution	0.01 hPa
Total accuracy	± 0.2 hPa (- 40 °C to + 60 °C)

Temperature (PT100)

Temperature probe designed for air temperature, surface ground temperature and soil temperature measurements.

Measurement range	-50 °C to +70 °C
Resolution	0.1 °C
Accuracy classes	PT100 1/5 DIN: ± 0.1 °C
Cable lengths	5 m

Relative humidity

The high-quality sensor module for measuring humidity.

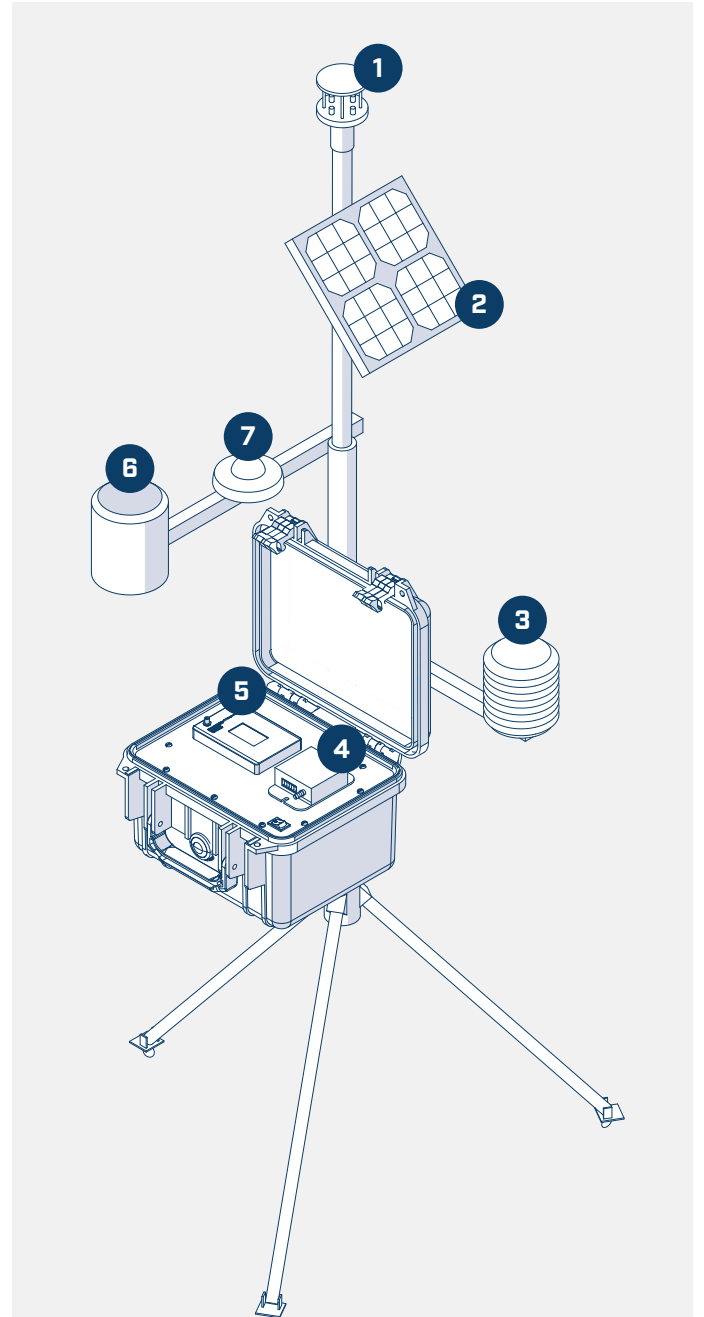
Measurement range	0 to 100 %RH
Resolution	0.1 %RH
Accuracy at 23 °C	± 1 %RH
Cable lengths	5 m

Wind speed

Range	0 to 60 m/s
Accuracy	± 2 %
Resolution	0.01 m/s

Wind direction

Range	0 to 360° – no dead band
Accuracy	± 3°
Resolution	1°



- 1 Wind speed and direction sensor
- 2 Solar panel
- 3 Metcover
Temperature sensor
Relative humidity sensor
- 4 Atmospheric pressure sensor
- 5 Data logger
- 6 Precipitation sensor
- 7 Solar radiation sensor